

THIS DRAWING IS UNPUBLISHED.

RELEASED FOR PUBLICATION

© COPYRIGHT - By -

ALL RIGHTS RESERVED.

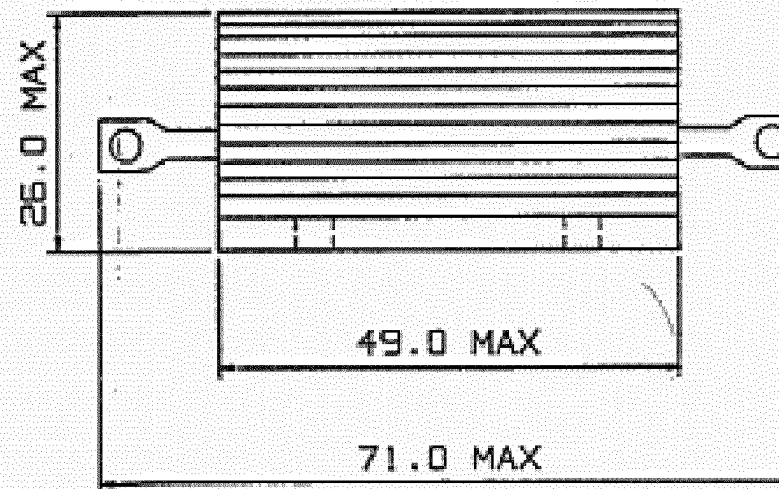
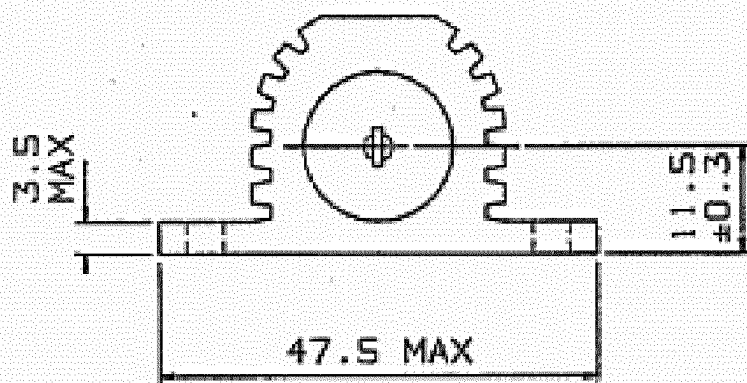
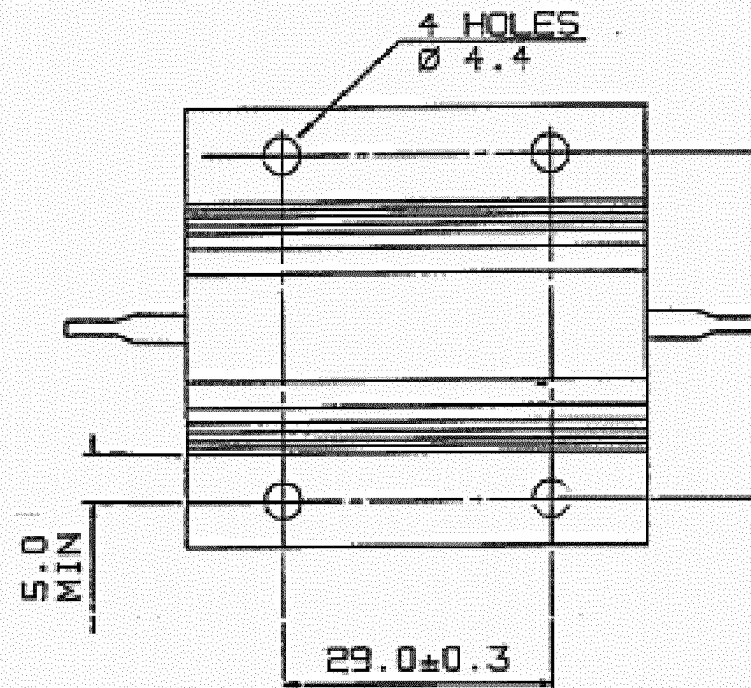
LOC E DIST B

REVISIONS

P	LTR	DESCRIPTION	DATE	DWN	APVD
	A1	REVISED PER ECO-11-005150	21MAR11	RK	HMR


**TECHNICAL SPECIFICATION**

DISSIPATION AT 25°C 75 WATTS MOUNTED  
 OHMIC RANGE ON STD HEATSINK  
 R10 TO 50K  
 STABILITY ΔR <=2%  
 per 1000hrs  
 ISOLATION VOLTAGE 3500v DC/AC pk  
 MAX WORKING VOLTAGE 1400V DC/AC rms  
 TEMP COEFFICIENT >1R0 50ppm  
 >100R 25ppm  
 CLIMATIC CATEGORY 55/200/56



NOTE:  
 1) FOR A SPECIFIC PN FOR A RESISTANCE VALUE AND TOLERANCE, PLEASE REFER TO DMF.

**RoHS Compliant**

THIS DRAWING IS A CONTROLLED DOCUMENT.		DWN 03JUN08 PRAKASH KANNIAH	 TE Connectivity			
DIMENSIONS: mm		CHK 03JUN08 R BLANCH				
TOLERANCES UNLESS OTHERWISE SPECIFIED:		APVD 03JUN08 J CATCHPOLE	NAME THS75 METAL CLAD RESISTOR			
0 PLC ± - 1 PLC ± - 2 PLC ± - 3 PLC ± - 4 PLC ± - ANGLES ± -		PRODUCT SPEC	RESTRICTED TO			
MATERIAL		FINISH	APPLICATION SPEC	SIZE	CAGE CODE	DRAWING NO
-		-	WEIGHT	-	A300779	G-1879363
CUSTOMER DRAWING			SCALE	NTS	SHEET	1 OF 1
			REV	A1		